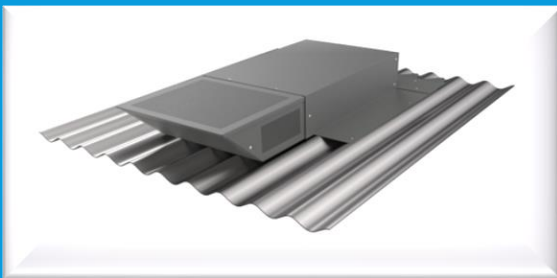
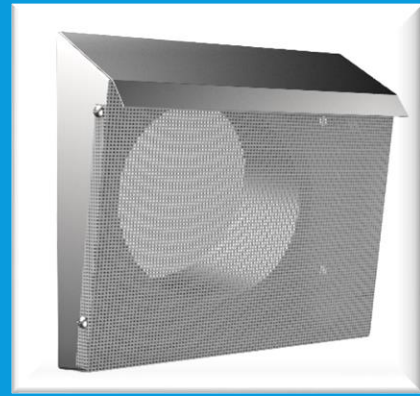
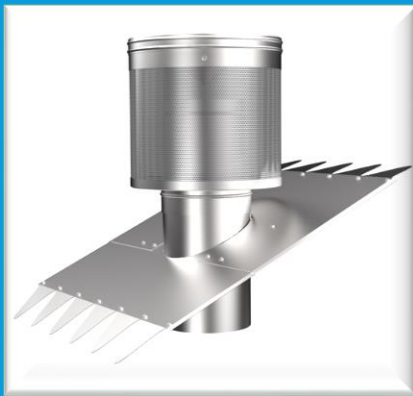




Dragon Vents Australia

By Home Venting Solutions

Manufacturer Of Quality Metal Roof, Eaves & Wall Venting
Systems For All Brands Of Rangehoods.



Tim Daly
Unit 3-5 21 Delage St
Joondalup 6027
Perth W.A.
08 9300 3444

sales@homeventingsolutions.com.au



Assembly Instructions:

150mm Hi Flow S/Steel Rangehood roof vent

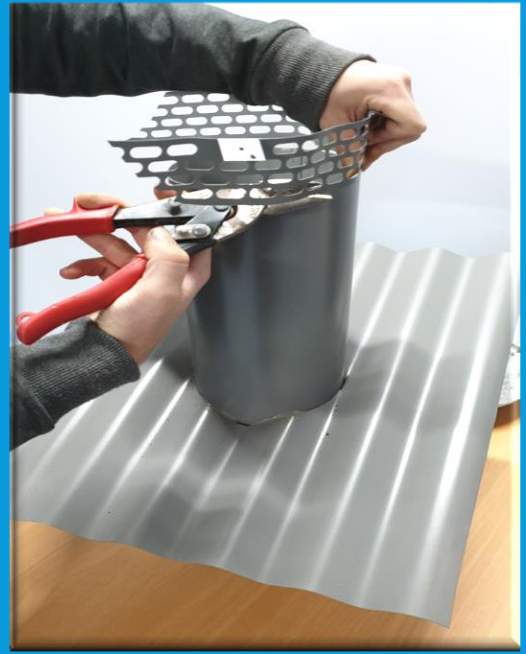


Model: DV 150



Step one: Remove old vent cap.

Drill rivets out (or remove the fixtures) that hold on the existing storm cap with a 3mm drill bit .



Step 2. Cut off top of pipe.

Snip off excess below the vent holes or approx. 90 mm from the top of the vent pipe.



Step 3. Installing the vent.

Slide the vent over the pipe, it will stop at the internal swage.



Step 4. Final fit off.

Check level and secure with 3 screws provided.

Installation Tips and safety

- Always use the correct ladder and ladder lock before getting on to the roof.
- Never climb on to a wet/damp roof.
- 25 degrees or less Roof angles are reasonably safe to work on.
- 30 degrees and above roof angles may require Fall restraints...etc.
- If in doubt use a licensed tradesman to do the installation work.
- Turn the rangehood on the top speed to blow out the flies from the vent before you get on the roof.
- Use a small level on the top of the DV-150 Vent to ensure that it is installed. Straight.